



2022 - 23

ONE DIGITAL

OSSTEM[®]
IMPLANT



ONE DIGITAL

INPUT

01 Intra Oral Scanner

CAD

03 TRIO software

OUTPUT

07 Milling & Material

08 3D Printer & Material

DIGITAL GUIDE

11 OneGuide KIT

12 OnePositioning KIT

13 OneCAS KIT

14 OneMS KIT

15 One485 KIT

16 OneGuide KIT (Short)

17 OneGuide Accessory KIT

19 OneGuide System (Surgical Instrument)

DIGITAL PROSTHETICS

21 Scan Body

25 Hiossen Digital Library Tables

27 Scan Healing Abutment

29 Digital Lab Analog

31 Pre-milled Abutment

33 Link Abutment for public

35 TS Multi Ti Base

37 T2 / Ray CT

38 FireCR Dental Reader / Intra-Oral Sensor / N1 Portable X-Ray / SNAP / OneGuide Stent

Input Intra Oral Scanner

TRIOS4 POD

- Easy prevention/treatment with automatic diagnosis of dental caries
- Freedom and convenience provided by the world's first wireless scanner
- Automatic removal of unnecessary soft tissue with AI scanning technology
- Improved battery life (approx. 45 minutes)



22003127

TRIOS3 POD

- Portable TRIOS3, easily connected to a laptop
- Portable mobile stand allows you to move freely between dental chairs



22001091

TRIOS3 BASIC

- Standard, affordable scanner available for scan (primary feature) only



22002151

TRIOS3 Wireless POD



- The world's first wireless intraoral scanner
- Convenient wireless intraoral scanning
- Real-time display of scanning on the chairside screen
- 3 batteries included



22002245

TRIOS Clinic Apps

Apps for digital planning and design and designing - bring your clinic into the digital age.

	Implant Planner* For prosthetic driven implant treatment planning	#85240040
	Orthodontic Planner* For orthodontic analysis, diagnosis and treatment planning	#80245500






Planner apps can be upgraded to Studio apps (within same app family e.g. Implantology or Orthodontics) and can be purchased anytime.

Implant Planner

Plan your prosthetic driven implant procedures with the Implant Planner software based on esthetics, intended final restoration, available bone and the overall clinical situation to deliver increased treatment predictability and better outcome.

3Shape TRIOS® Studio Apps

Apps develop to enable same-day-dentistry with in house design and production

TRIOS Studio Apps		
	TRIOS Design Studio* Full same-day dentistry workflow TRIOS scanning, easy designing and milling on integrated 3 rd party mills	#80241140
	3 Shape Implant Studio* Prosthetic driven implant planning custom surgical guide design and screw-retained crown design in one workflow, same-day. Manufacture components in house or send-to partner via. STL export	#85240060
	Clear Aligner Studio Full workflow for orthodontic analysis, diagnostic and same-day start of clear aligner treatment	#80245531
	Indirect Bonding Studio Full workflow for orthodontic analysis, diagnostic and same-day start of clear aligner treatment	#80245532
	Splint Studio Full sameday dentistry workflow for design and production of splints, night guards, protectors and similar dental appliances via. STL export	#80241350

* Requires active TRIOS subscription

Implant Studio

The Implant Studio software includes all features in the Implant Planner plus the ability to design custom surgical guides as well as screw-retained crowns*. Integrate to 3D printers for in-house production or export. STL files and send-to external partner.

TRIOS Design Studio

Designed for the dental clinic, 3Shape TRIOS Design Studio is an integrated same-day dentistry solution for your TRIOS intra-oral scanner. Choose send-to-lab or in-house workflow in one software solution.

TRIOS Design Studio enables professionals to design and mill crowns, screw-retained crowns*, inlay/onlays, veneers and 3-unit bridges in the clinic in a simple and integrated workflow.

A range of 3rd party Trusted Connection mills are integrated via validated in-house workflow. STL Export option for both scan and CAD files included for connection to other mills.



CAD CAD S/W

Design Studio

- One-day prosthesis fabrication using TRIOS scan
- Crowns, inlays, onlays, SCRIP crowns
- Auto design feature
- "One-stop" solution, from scanning to designing and milling

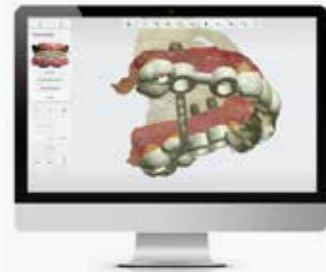
Stand alone 80241140



Implant Studio

- Guide design using scan data and CT data
- Implant planning
- Available importing file format : STL, DCM

Stand alone 85240020
 Implant studio(T) 85240060
 Implant studio(D) 85240010



Clear Aligner Studio

- Appliance design using scan data
- Clear aligner design
- Bracket bonding jig design

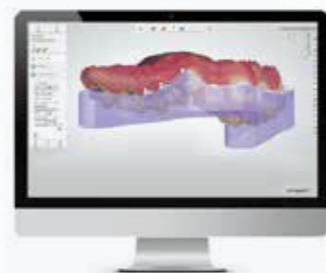
Clear Aligner Studio(T) 80245501



Indirect Bonding Studio

- Virtual bracket placement using scan data
- 3D print the indirect bonding jig for fabrication

80245502



Ortho System Premium

- For scan data analysis of orthodontic patient
- For treatment planning and virtual setup
- Data extraction in STL format and printing
- Appliance fabrication

80245420



Module

- Ortho analyzer stand-alone (80242052)
- Appliance designer stand-alone (80245050)
- Bracket placement - add-on to ortho planner (80245071)
- Appliance designer add-on (80245057)
- Bracket transfer - add-on to appliance designer (80245072)
- Study Model Builder Add-on to Ortho Analyzer (80245073)
- Planning Model Builder Add-on to Ortho Planner (80245074)

Dental system

Dental system	Crown & Bridge	80241412
	Premium	80241411
	Complete Restorative	80241410

Module

- Custom Abutment Design (80243260)
- Full Denture Add on (80245420)
- Model Builder Trios Add on (80249047)
- Model Builder All Scan Add on (80249071)



Output Milling & Material

OneMill 5X

- Optimized modelless 5-axis dry milling machine
- Stable and uniform prosthesis fabrication
- Precision : $\pm 5\mu$
- 3-way airflow system minimizes dust in the inner surface of the prosthesis/equipment
- Front LED indicator light displays real-time status
- Simultaneous 5-axis milling allows precise fabrication of different inner prosthetic surfaces



OneMill5X

Output 3D Printer & Material

ONEJET LCD



ONEJET LCD

ONEJET CURE PLUS



ONECURE PLUS

ONEJET DLP PLUS NEW 2023



ONEJET DLP PLUS

Output 3D Printer & Material

ONEJET Surgical Guide

- Surgical Guide Stent

1kg OJSG
0.5kg OJSG-500



ONEJET Model Beige NEW 2023

- Model

1kg OJMO-B
0.5kg OJMO-B-500



ONEJET C&B NEW 2023

- Temporary crown and bridge

1kg OJTC-A3
0.5kg OJTC-A3-500



ONEJET Base NEW 2023

- Denture

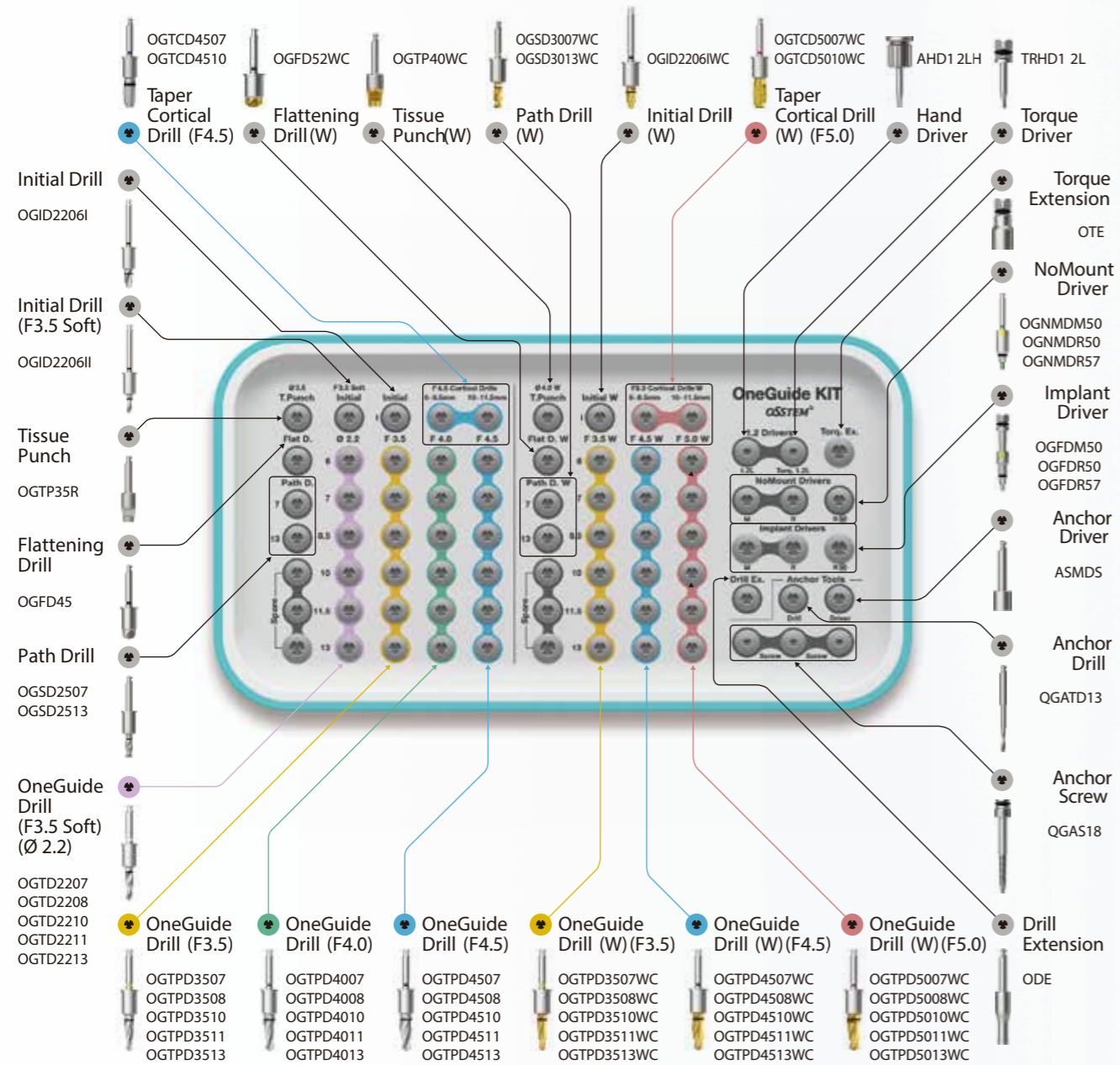
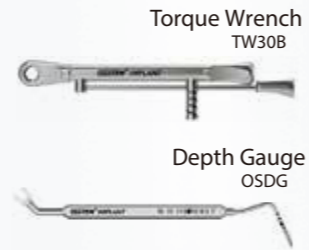
1kg OJDB-OP
0.5kg OJDB-OP-500



OSSTEM[®]
IMPLANT

OneGuide KIT (OOGK) RENEWAL 2020

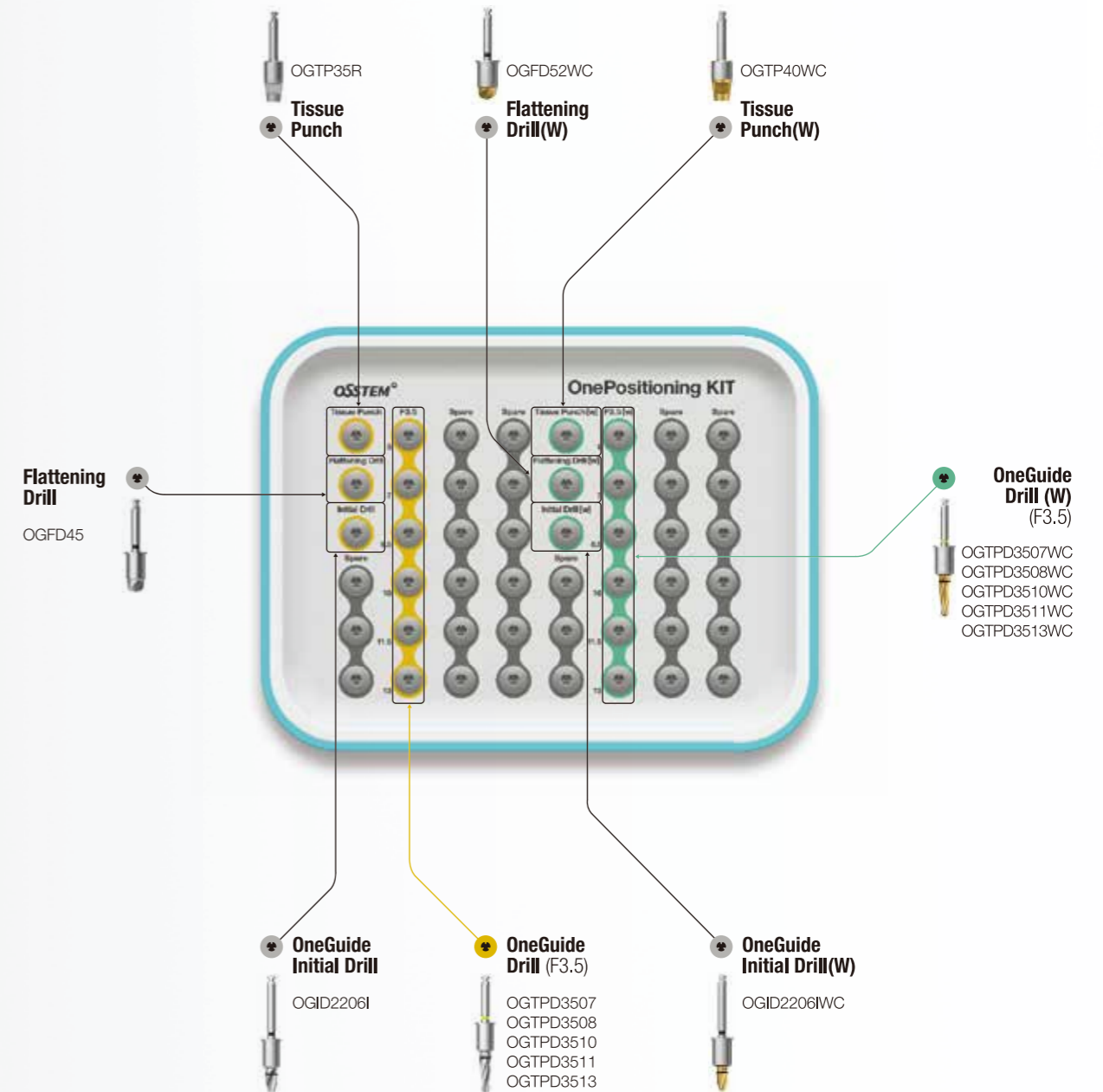
TSIII / IV KSIII SSIII USIII



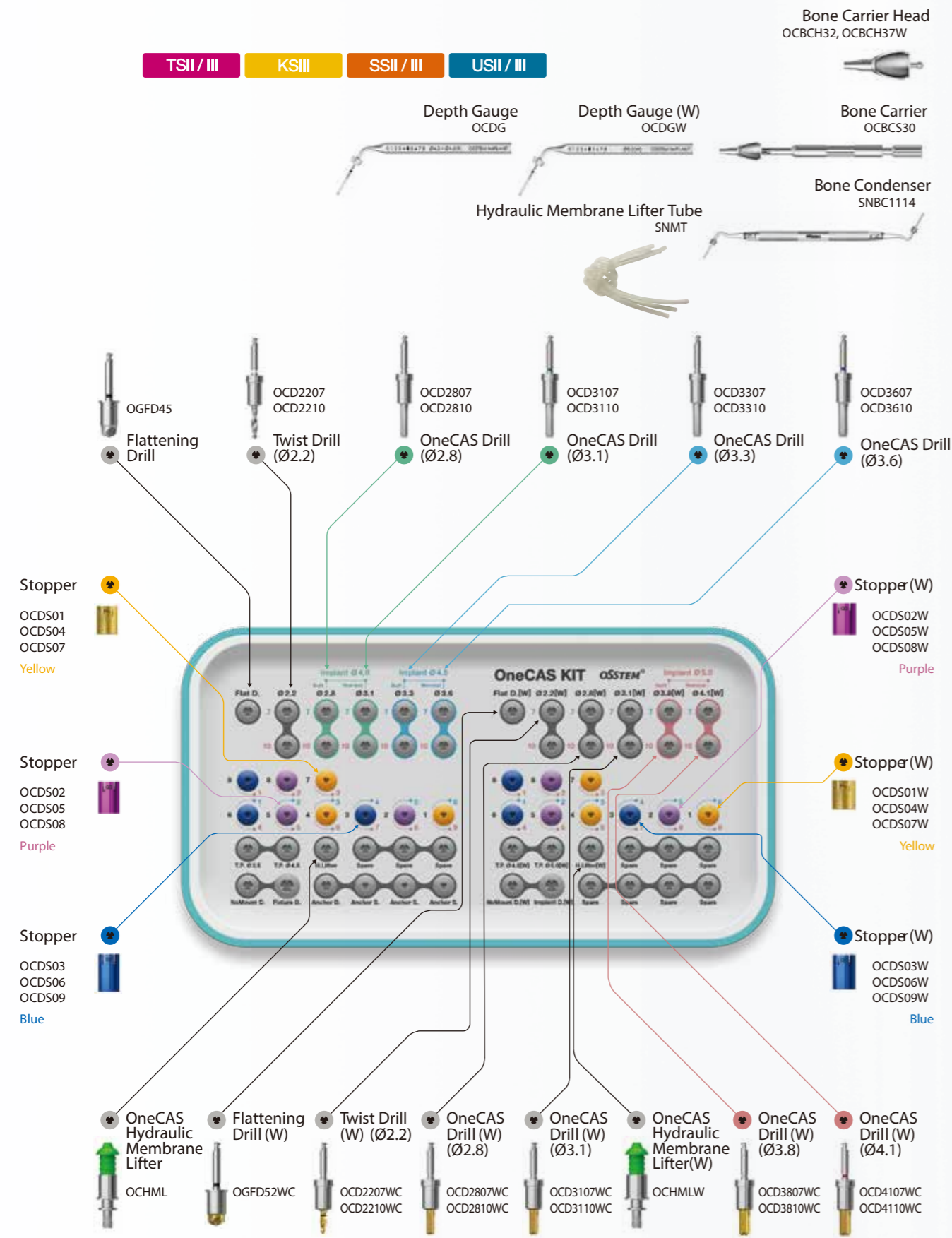
OnePositioning KIT (OOPK) 2019

TSIII / IV KSIII SSIII USIII / IV III / IV Ultra-wide

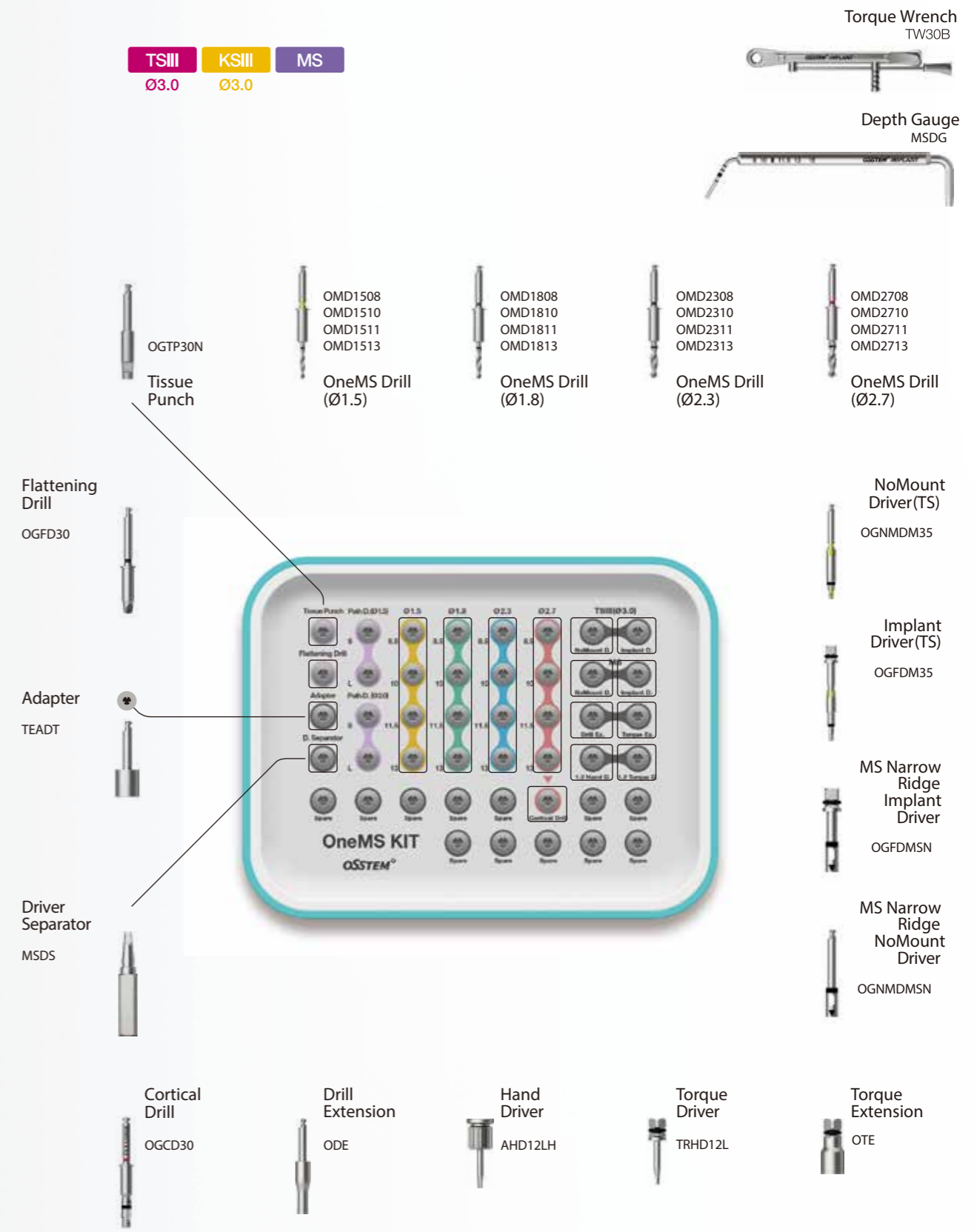
- Selecting the initial placement position, path and depth using OneGuide
- Removing OneGuide after F3.5 drilling and proceeding up to fixture placement through manual surgery



OneCAS KIT (OOCK)

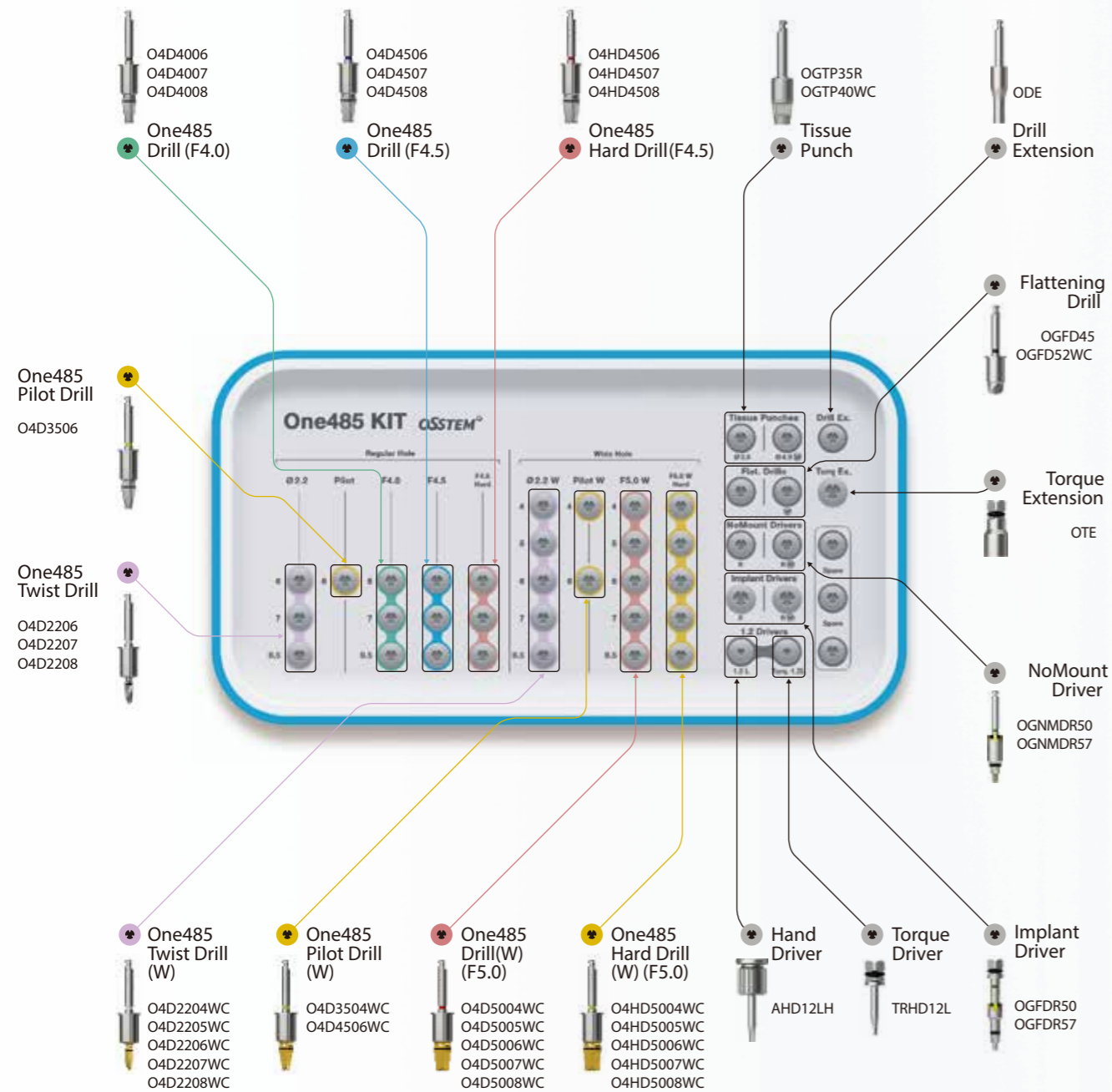
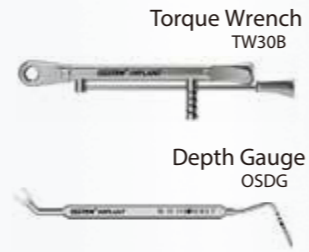


OneMS KIT (OOMSK)



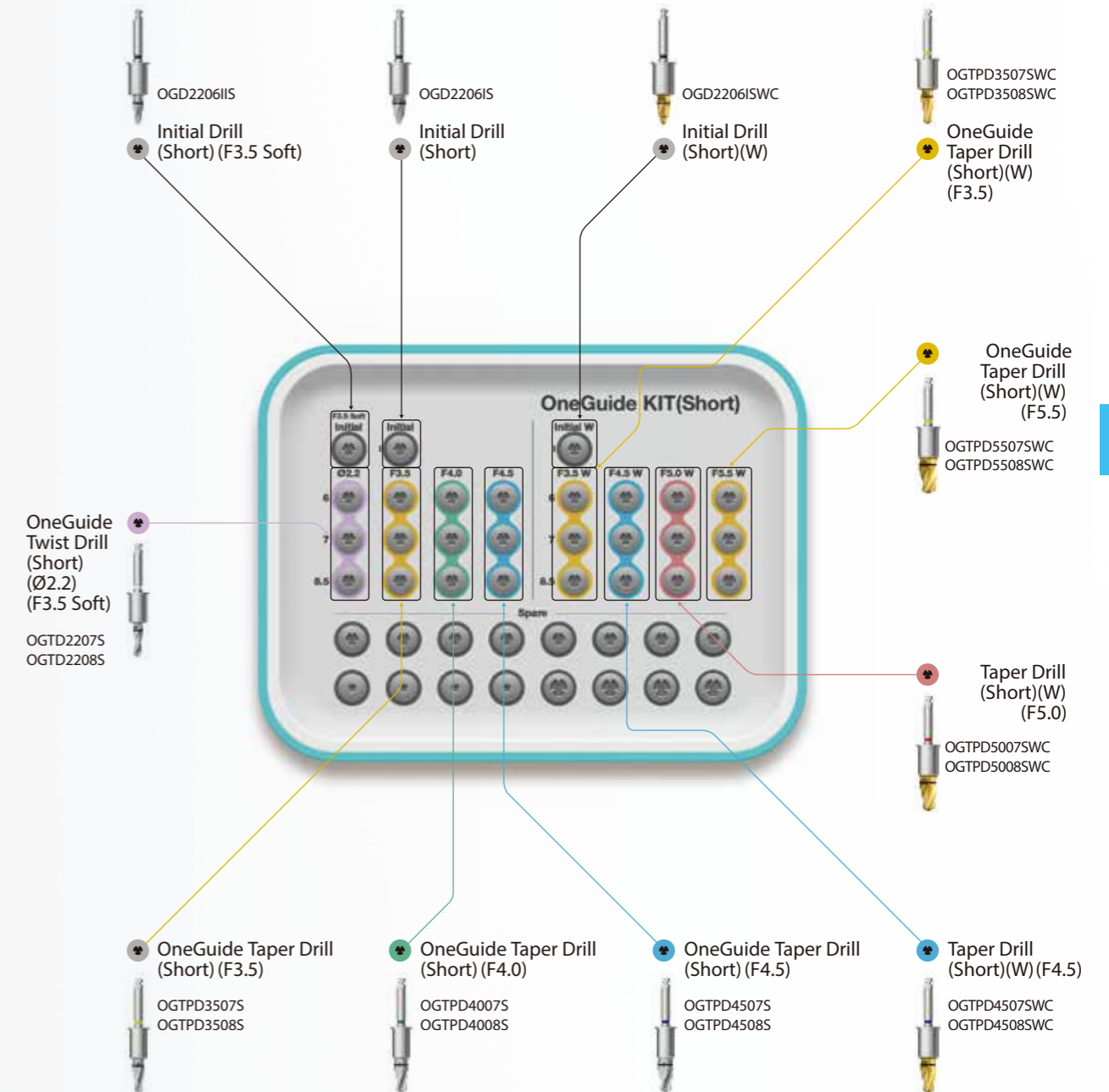
One485 KIT (O0485K)

TSIII KSIII SSIII USIII



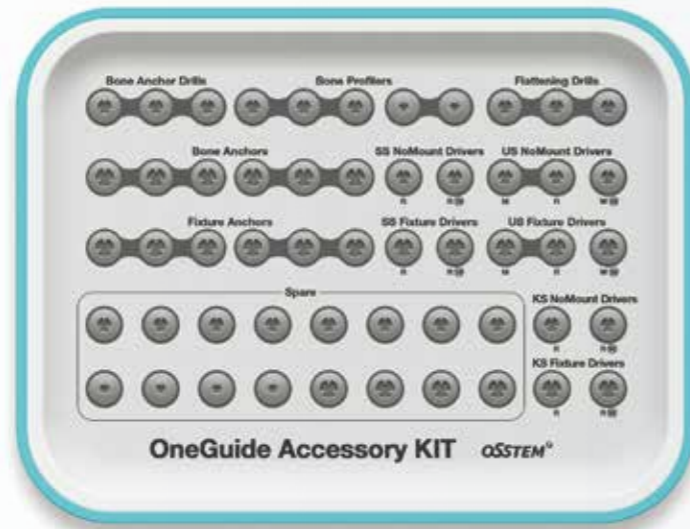
OneGuide KIT(Short) (OOGKS) NEW 2023

TSIII / IV KSIII SSIII USIII



OneGuide Accessory KIT (OOGAK)

- KIT consisted of the tools selected by user
- Possible to accommodate the products not included in the OneGuide KIT by default such as OneGuide Bone/Fixture Anchor, and SS/US/KS Driver
- Spare holes deployed by rubber size (Large 4, Medium 8, Small 4) for user preferences



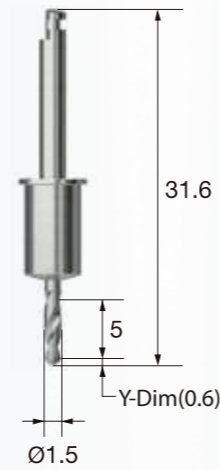
OSSTEM[®]
IMPLANT

OneGuide System Surgical Instruments

OneGuide Twist Drill

- Used for drilling before using an OneGuide Bone Anchor
- Sold separately

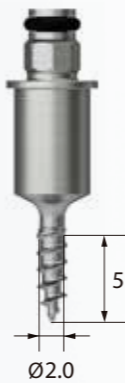
	Regular Hole (ø5.1)	Wide Hole (ø5.8)
Ø1.5	OGTD1506	OGTD1506W



OneGuide Bone Anchor

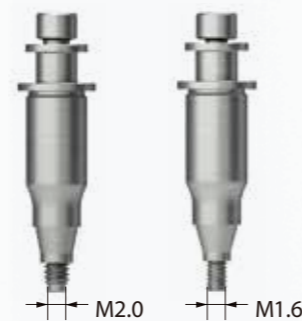
- Used for fixing OneGuide in place vertically (e.g. edentulous case)
- Mounted on alveolar bone to fix OneGuide in place
- Soft bone : placed directly
- Normal/hard bone : placed after using the OneGuide Twist Drill for Bone Anchor
- Tightened 20rpm FWD with Anchor Driver
- Sold separately

	Regular Hole (ø5.1)	Wide Hole (ø5.8)
Ø2.0	OGBAR	OGBAW



OneGuide Implant Anchor

	Regular Hole (ø5.1)	Wide Hole (ø5.8)
TSIII(M2.0)	OGFAR	OGFAW
KSIII(M1.6)	OGFAKR	OGFAKW



OneGuide Reamer Drill

- Reamer for hole size adjustment after OneGuide template output
- 3 types according to the OneGuide hole size
- Sold separately



	Narrow Hole (ø3.6)	Regular Hole (ø5.1)	Wide Hole (ø5.8)
Sleeveless	OGRD36	OGRD51	OGRD58
Metal Sleeve	OGRDS36	OGRDS51	OGRDS58

CT Checker

- Checking the drilling path through CT scan by connecting to the guide hole before OneGuide procedure (e.g. edentulous case)
- 1 type each for each hole diameter
- Sold separately
- 1set = 5ea



	Narrow Hole (ø3.6)	Regular Hole (ø5.1)	Wide Hole (ø5.8)
	CTCHK35S	CTCHK50S	CTCHK57S

TS Scan Body

- 1.2 hex driver
- Packing unit : scan body + Ti screw

Scan body + screw order code
: product code + TH (ex : TSNSBRL TH)

- M** Mini
- R** Regular

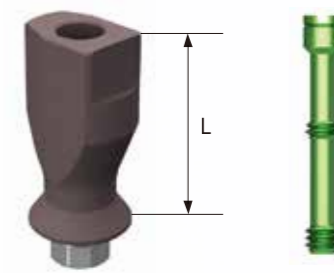


SS Scan Body

- 1.2 hex driver
- Packing unit : scan body + Ti screw

Scan body + screw order code
: product code + TH (ex : SSNSBRL TH)

- R** Regular
- W** Wide



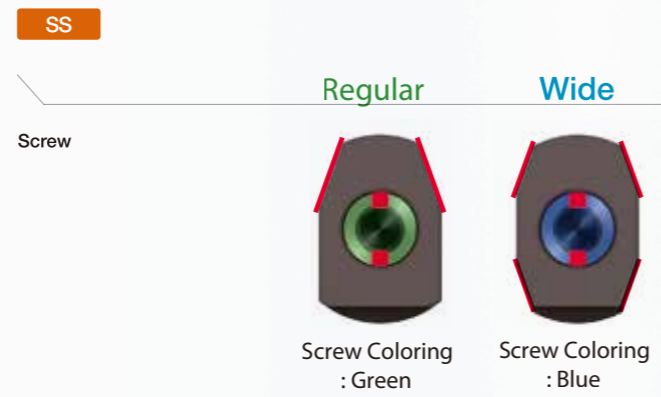
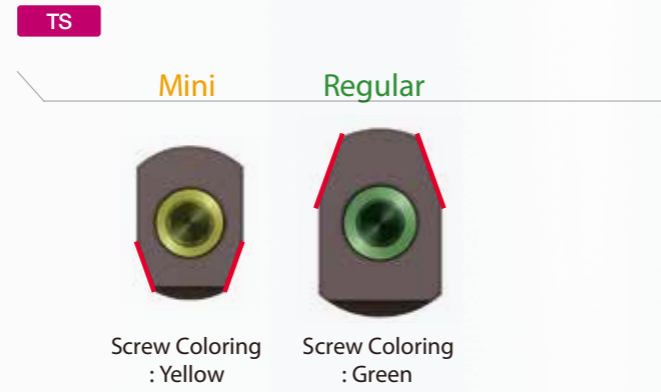
	8 (Short)	12 (Long)
M	TSNSBMS	TSNSBML
R	TSNSBRS	TSNSBRL

	6 (Short)	10 (Long)
R	SSNSBRS	SSNSBRL
W	SSNSBWS	SSNSBWL

Scan Body

Guide

- Scan body (intraoral) System



Scan Body Holding Driver NEW 2021

- Scan body (intraoral) driver
- TS, SS
- Mini : **TS** Mini
- Regular : **TS** Regular
SS Regular / Wide



OSSTEM[®]
IMPLANT

<Hiossen Digital Library Table>

[Attention] TS system(Osstem) and ET system(Hiossen) are identical products.

3shape library: Can use one DME file for all sizes.

Company	Design Result	Scan To	Library Title
3shape / Exocad	Custom Abutment	New scan body	OST_TS_SBO_CU_R0
	Link Abutment (Ti-base) for Public B	New scan body	OST_TS_SBO_LI_V2_R0
	Transfer Abutment	New scan body	OST_TS_SBO_TR_R0
	Transfer Abutment	Transfer Abutment	OST_TS_SBO_TR_TR_R1
	Multi Abutment	Multi Scan body Intserted on Multi Abutment	OST_TS_MultiSB_Mu-Ti_R1
	Custom Abutment	Scan Healing Abutment	OST_TS_SH(V1)_CU_R1
	Multi Abutment (Prosthetics without Multi Ti Base (Full arch))	Multi Scan body inserted on Multi Abutment (Prosthetics without Multi Ti Base (Full arch))	OST_TS_MultiSB_Mu-Ti_R1
	SS ComOcta	SS New scan body	OST_SS_SBO_CO_R1
	SS Octa Plus	SS New scan body	OST_SS_SBO_COP_R1

OSSTEM[®]
IMPLANT

Pre-milled Abutment

Milling Holder Type	Milling Result	Scan To	Library Title
Imes-Icore	Custom Abutment	New Scan body	OST_TS_SBO_CU_R2

Digital Prosthetics Scan Healing Abutment

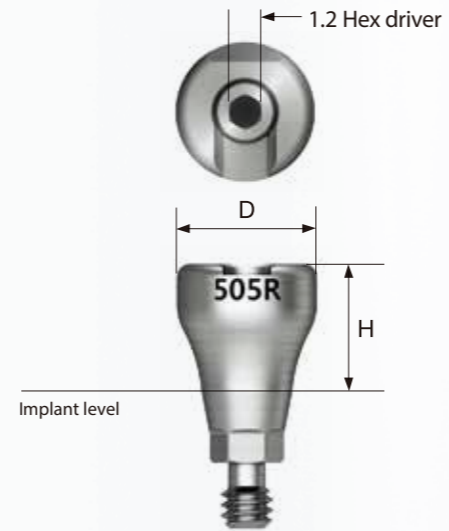
TS Scan Healing Abutment

- Scan body
- Abutment level impression
- 1.2 hex driver / driver carrier
- Packing unit : scan healing abutment body + Ti screw

Scan healing abutment body + Ti screw order code
: product code + TH (ex : TSSHA505R TH)

M Mini

R Regular



D \ H	4.0	5.0	7.0	9.0
Ø 4.0	TSSHA404M	TSSHA 405M	TSSHA 407M	TSSHA 409M

D \ H	4.0	5.0	7.0	9.0
Ø 4.5	TSSHA454R	TSSHA455R	TSSHA457R	TSSHA459R
Ø 5.0	TSSHA504R	TSSHA505R	TSSHA507R	TSSHA509R
Ø 6.0	TSSHA604R	TSSHA605R	TSSHA607R	TSSHA609R

TS Scan Healing Abutment Carrier

M Mini
R Regular



Type \ Scan Healing(D)	Ø 4.0	Ø 4.5	Ø 5.0	Ø 6.0
Short				
Long	TSSHAC 400L	TSSHAC 450L	TSSHAC 500L	TSSHAC 600L

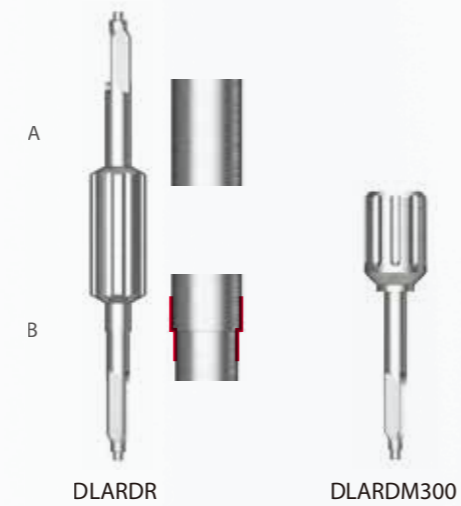
Digital Lab Analog (TS, SS)

- Packing unit : digital lab analog + screw



Reamer Drill

• DLARDR	Type	A
	TS	Regular / Multi
	SS	Regular / Wide
• DLARDM300	Type	
	TS	Ø3.0



Positioning Jig



Screw Bulk

- Lab analog Screw



Digital Prosthetics Pre-milled Abutment

Genuine Product Certification Mark

Check the authenticity of osstem genuine product

Custom abutment after milled
Custom abutment before milled



Line Up for Various Devices

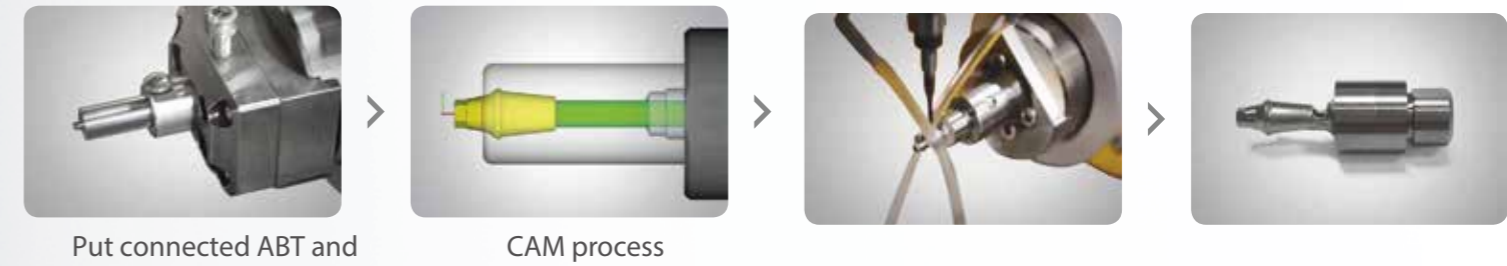
Fixed Abutment type to fit into device's jig



Prosthetic WorkFlow



※ Abutments manufactured by this system should be over 4.0mm diameter and less than 30° angle

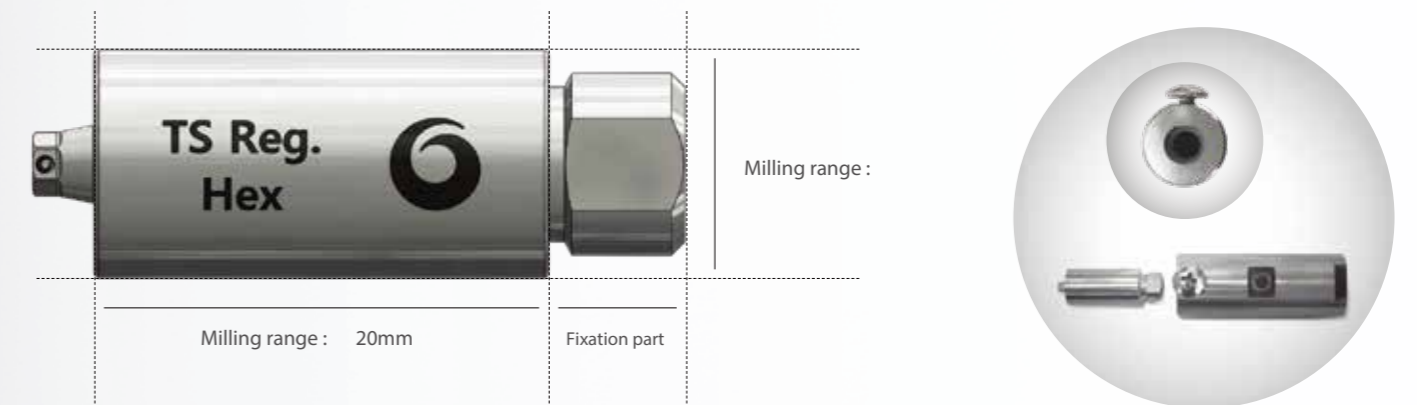


Product Line up

Milling Machine Manufacturer : Device A, Device B

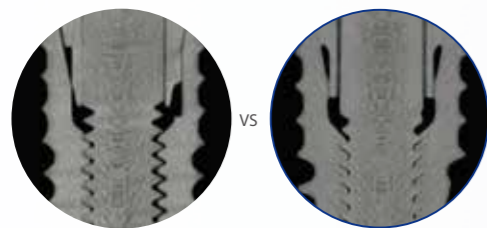
	Hex		Non-hex	Shape of fixation part
	Mini	Regular		
OSSTEM TS	Mini	TSPM10ARMWH	TSPM10 AR MNWH	
	Regular	TSPM10 AR RWH	TSPM10 AR RNWH	
Manufacturer A		DEPM10 AR RTH	DEPM10 AR RNTH	
Manufacturer B		NEPM10 AR RTH	NEPM10 AR RNTH	

Milling range



Reliable Connection Structure

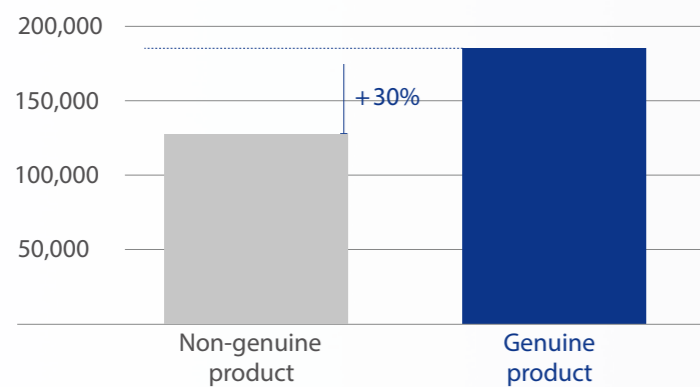
- Superior connecting accuracy compared to non-genuine product
- reduced the chance of screw loosening and fracture



Non-genuine product

Genuine product

Fatigue life (cycle)



Connection Structures and Screws for Various Implants

Line up for other implant systems



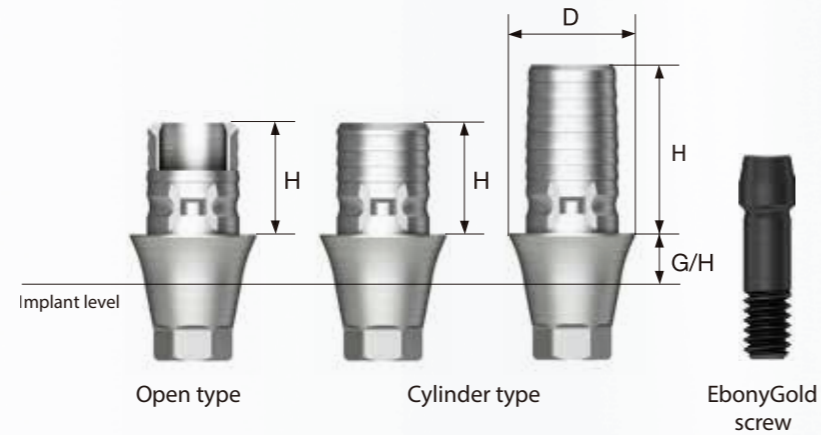
Osstem

A

B

TS Link Abutment for Public (B Type)

- Abutment for producing cement-retained/combination/screw-retained prosthesis
- Used for producing Ti + Zr custom abutment with CAD/CAM equipment
- Osstem's official implant library provided
- Fixture level impression
- Tightened with a 1.2 hex driver
- Recommended tightening torque : 20Ncm (mini),
- Packing unit : Abutment + EbonyGold screw



Abutment + EbonyGold screw order code
: product code + WH (ex : TSPL4541R WH)

D Ø4.0



EbonyGold screw :GSABSM

H \ G/H	Type	1.0	2.0	3.0	4.0
Hex	4.0 Open Type	TSPL 4041M	TSPL 4042M	TSPL 4043M	TSPL 4044M
	4.0 Cylinder Type	TSPL 4041C	TSPL 4042C	TSPL 4043C	TSPL 4044C
	6.0 Cylinder Type	TSPL 4061M	TSPL 4062M	TSPL 4063M	TSPL 4064M
Non-Hex	4.0 Open Type	TSPL 4041MN	TSPL 4042MN	TSPL 4043MN	TSPL 4044MN
	4.0 Cylinder Type	TSPL 4041CN	TSPL 4042CN	TSPL 4043CN	TSPL 4044CN
	6.0 Cylinder Type	TSPL 4061MN	TSPL 4062MN	TSPL 4063MN	TSPL 4064MN

D Ø4.5



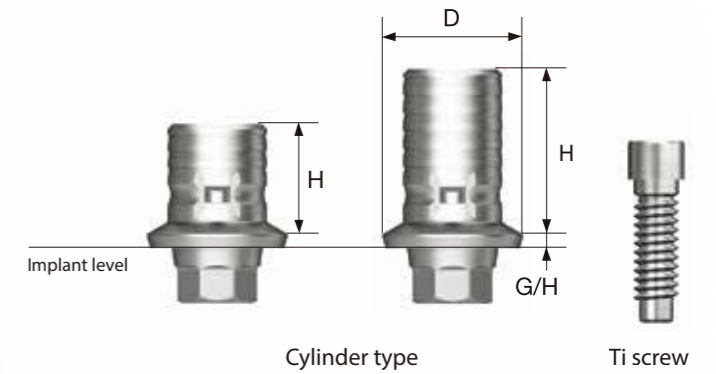
EbonyGold screw :GSABSS

H \ G/H	Type	1.0	2.0	3.0	4.0
Hex	4.0 Open Type	TSPL 4541R	TSPL 4542R	TSPL 4543R	TSPL 4544R
	4.0 Cylinder Type	TSPL 4541C	TSPL 4542C	TSPL 4543C	TSPL 4544C
	6.0 Cylinder Type	TSPL 4561R	TSPL 4562R	TSPL 4563R	TSPL 4564R
Non-Hex	4.0 Open Type	TSPL 4541RN	TSPL 4542RN	TSPL 4543RN	TSPL 4544RN
	4.0 Cylinder Type	TSPL 4541CN	TSPL 4542CN	TSPL 4543CN	TSPL 4544CN
	6.0 Cylinder Type	TSPL 4561RN	TSPL 4562RN	TSPL 4563RN	TSPL 4564RN

SS Link Abutment for Public

- Packing unit : abutment + Ti screw

Abutment + Ti screw order code
: product code + TH (ex : SSPL4840C TH)



D Ø5.1



Ti screw :ASR200

H \ G/H	Type	0.5
4.0	Cylinder Type	SSPL 4840C
6.0	Cylinder Type	SSPL 4860C

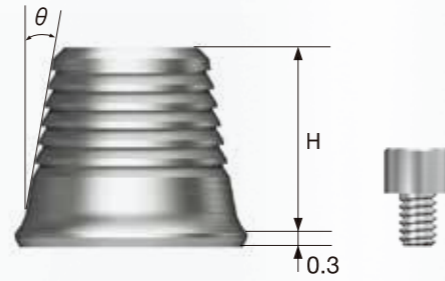
D Ø6.3



Ti screw :ASR200

H \ G/H	Type	0.5
4.0	Cylinder Type	SSPL 6040C
6.0	Cylinder Type	SSPL 6060C

TS Multi Ti Base



• Packing unit : Ti base + Ti base screw

Ti base + Ti base screw order Code
: product code + TH (ex : TSMTB505G TH)

H \ Degree(θ)	5°	10°
4	 TSMTB0405G	 TSMTB0410G
6	 TSMTB0605G	-

OSSTEM[®]
IMPLANT

TS Multi Scan Body

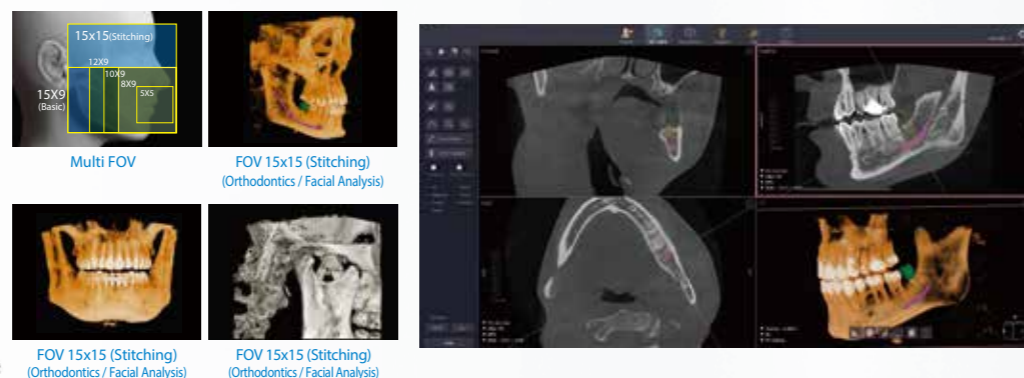


TSMSBC

T2 Wide FOV, Clear image and user-friendly CT



- Multiple FOV (5x5~15x15) allows for a wide range of applications
- Clear images provide accurate diagnosis
- Simplified TMJ imaging



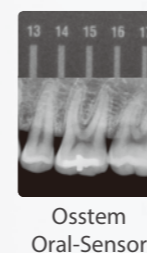
FireCR Dental Reader



- High image quality & distinct design
- Outstanding durability & fast transfer speed (4.1 to 7.2 sec)
- Flexible image plates (IPs) in various sizes (0, 1, 2, 3, 4c)
- Long IP lifecycle, thanks to the reader's non contact scanning method
- Supports both Ethernet & USB connections
- Auto-calibration ensures stability & consistency

Intra-Oral sensor

- Excellent Durability
- Design for Shock-Absorbing & Cable Protection



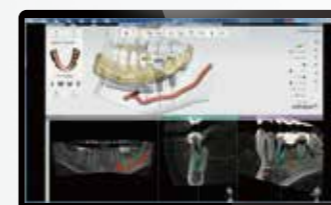
Osstem Oral-Sensor

N1 Portable X-ray



- Clear Image
- FOCAL SPOT 0.3mm to enhance clarity of images
- User friendly LCD Screen
- Light Weight of 1.5Kg

OneGuide Digital-guided surgery



A system that enables implant surgery without gingival incision



Scan Online OneGuide Order

SNAP Wireless Intraoral Camera

- Autofocus
- Two-way shooting button
- Slim head design
- Easy to equip



OSSTEM[®]
IMPLANT

X



Getting ready for the Future of Dentistry



RAYSCAN can be used by itself as 3 in 1 digital X-ray (CBCT, PANO, CEPH) or 4 in 1 combination with RAYDENT Solution for in-clinic production of dental appliances (e.g. Temporary crown & bridge, Implant surgical guide, ENDO guide, Tooth aligner, etc.)

Highest Resolution Dental CBCT Images



OSSTEM[®]
IMPLANT

OSSTEM[®]
IMPLANT



오스렘임플란트
매뉴얼 영상